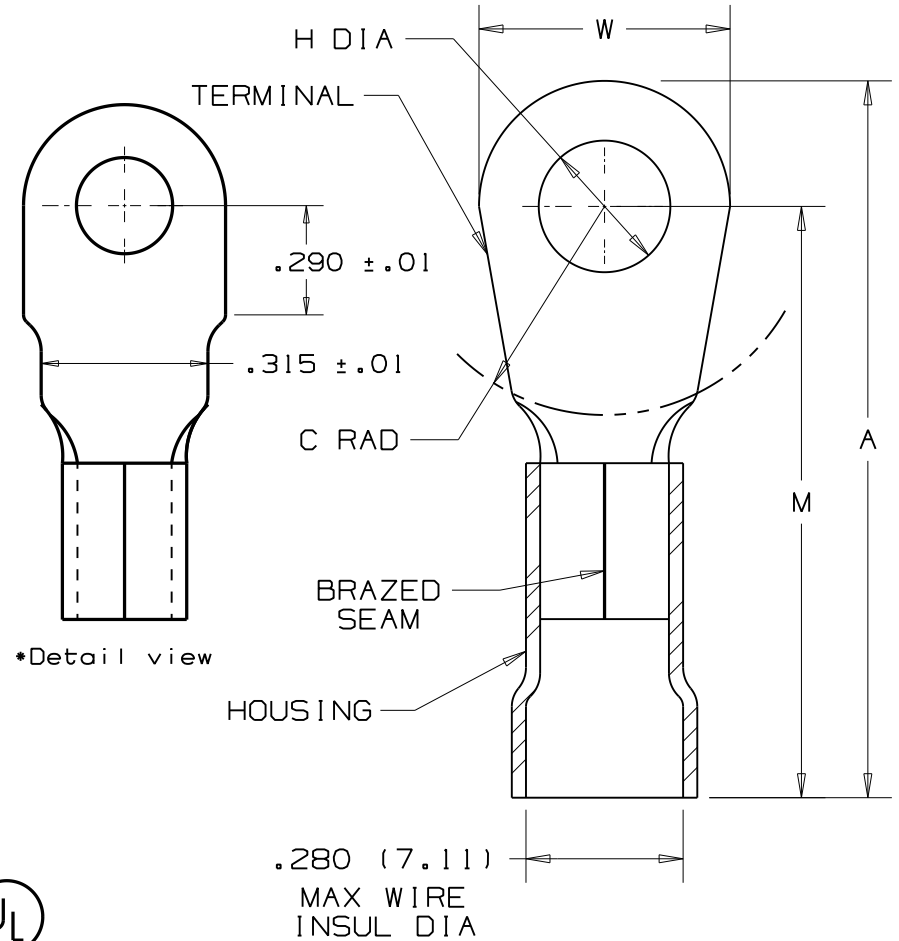


PANDUIT PART NUMBER		STUD SIZE	DIMENSIONS in.				
PREFIX	PK		A $\pm .03$	W $\pm .01$	C $\pm .02$	M $\pm .03$	H $\pm .01$
*PV8-8RN	-0 -T	#8	1.48 (37.59)	.36 (9.14)	.43 (10.92)	1.30 (33.02)	.17 (4.32)
PV8-8R	-0Y -TY	#8	1.51 (38.35)	.42 (10.67)	.43 (10.92)	1.30 (33.02)	.17 (4.32)
PV8-10R	-0Y -TY	#10	1.53 (38.86)	.47 (11.94)	.43 (10.92)	1.30 (33.02)	.20 (5.08)
PV8-14R	-0Y -TY	1/4"	1.53 (38.86)	.47 (11.94)	.43 (10.92)	1.30 (33.02)	.27 (6.86)
PV8-56R	-0Y -TY	5/16"	1.64 (41.66)	.59 (14.99)	.51 (12.95)	1.35 (34.29)	.33 (8.38)
PV8-38R	-0Y -TY	3/8"	1.64 (41.66)	.59 (14.99)	.51 (12.95)	1.35 (34.29)	.39 (9.91)
PV8-12R	-0Y -TY	1/2"	1.74 (44.20)	.82 (20.83)	.51 (12.95)	1.33 (33.78)	.52 (13.21)

NOTES:

- UL LISTED FOR: (EXCEPT PV8-8RN)
 A. 600V MAX VOLTAGE RATING
 B. 221° F (105° C) MAX TEMP RATING
 C. #8 AWG STRANDED COPPER WIRE
- PACKAGE QTY: STD. PKG. -Q=25
 BULK PKG. -TY=200
- MATERIAL:
 A. STAMPING - .040" (1.02) THK COPPER, TIN PLATED
 B. HOUSING - VINYL, RED
- DIMENSIONS IN BRACKETS ARE IN MILLIMETERS
- INSTALLATION TOOL: CT-720
- WIRE STRIP LENGTH: 3/8 $^{+1/32}_{-0}$ (9.5 $^{+.8}_{-0}$)



LISTED
587H
E52164

PANDUIT CORP.

TINLEY PARK, ILLINOIS

10	7/08	SRB	"Y" was removed from the PV8-8RN package quantity column	#8 BARREL VINYL INSULATED RING TONGUE .280 (7.11) MAX. WIRE INSUL. DIAMETER
REV	DATE	BY	DESCRIPTION	DRAWN BY DAW
				CHK'D
				SCALE NONE
				DRAWING NO. A41219